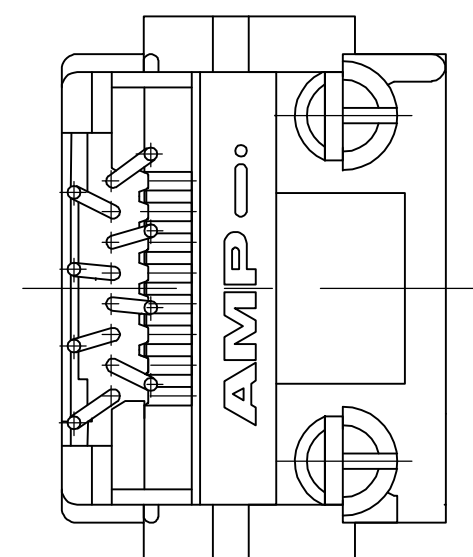
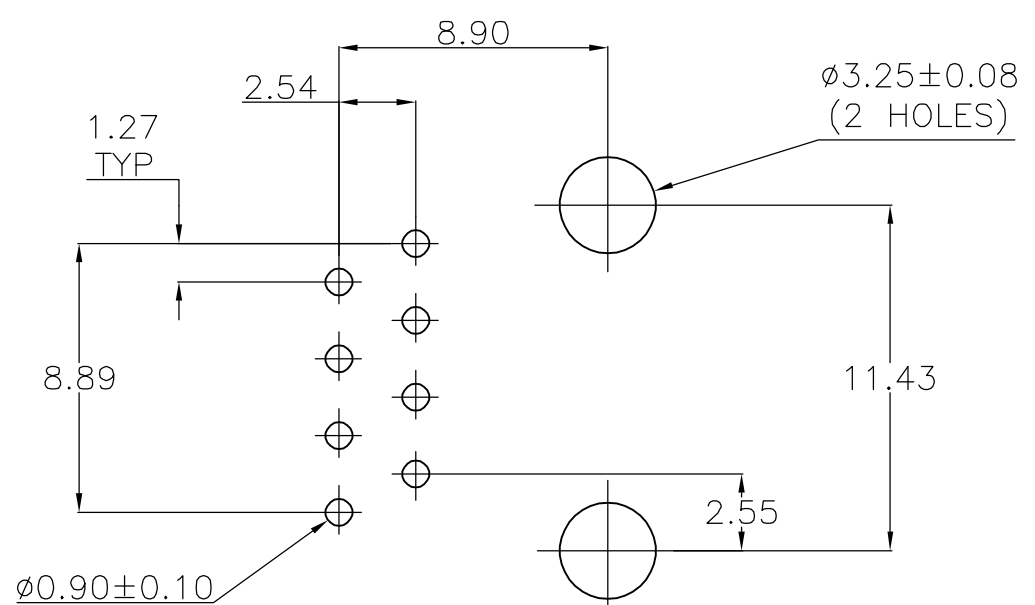
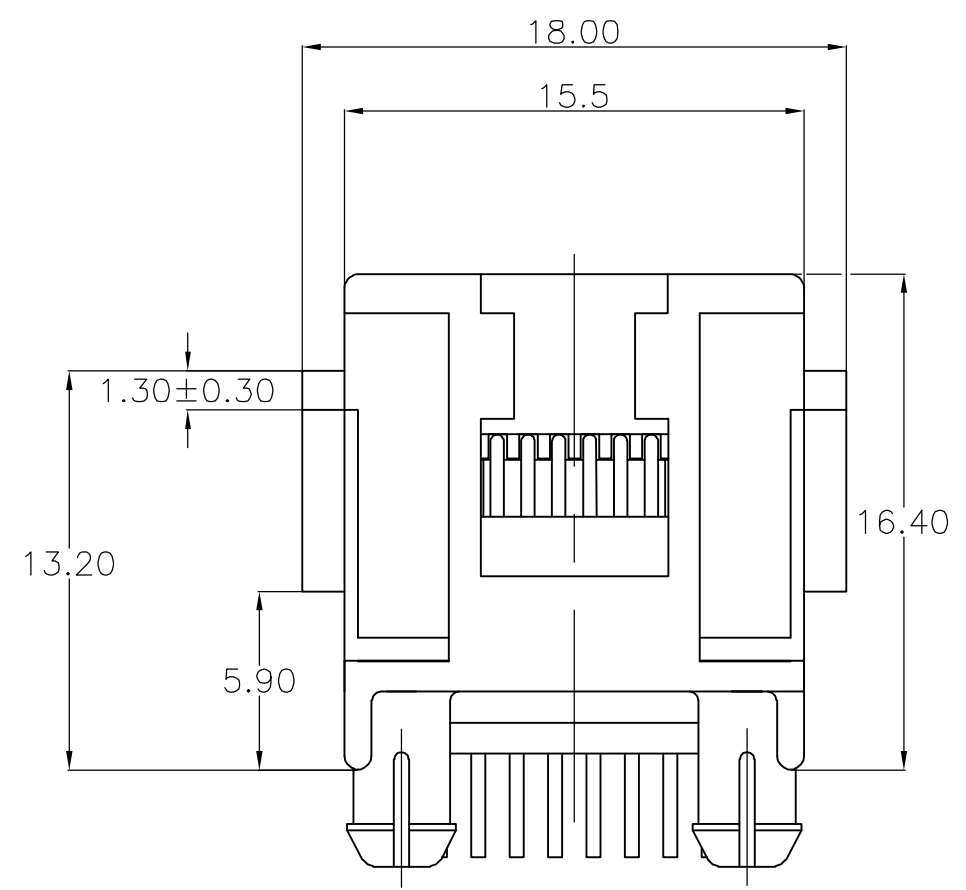
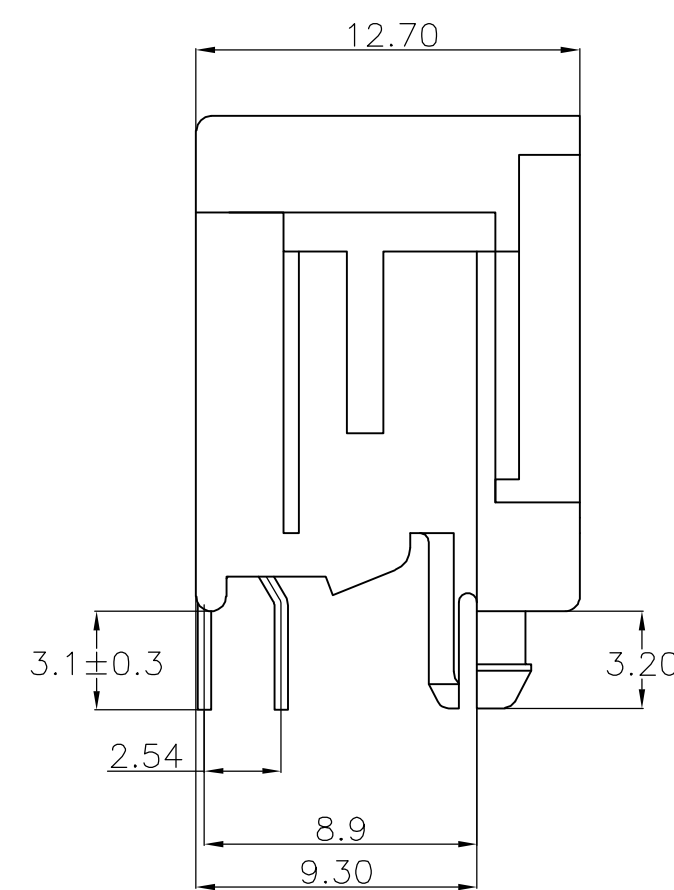
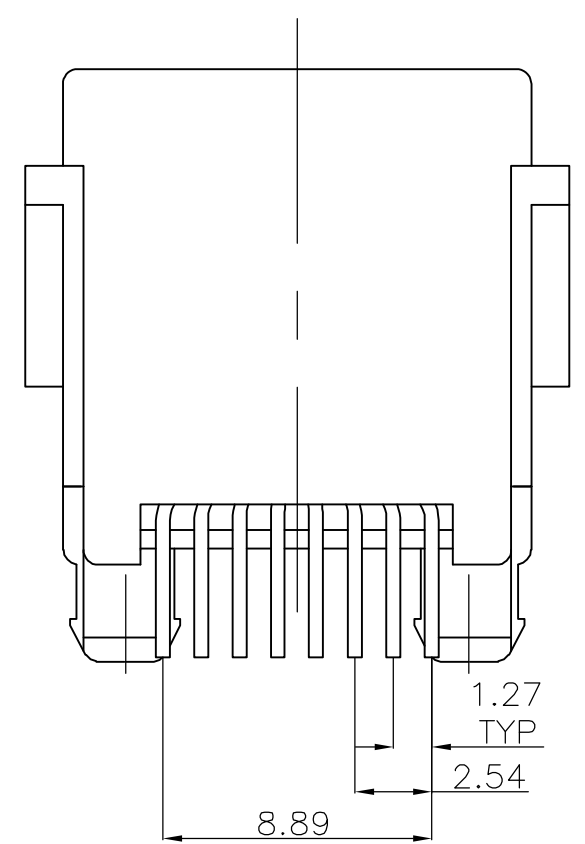
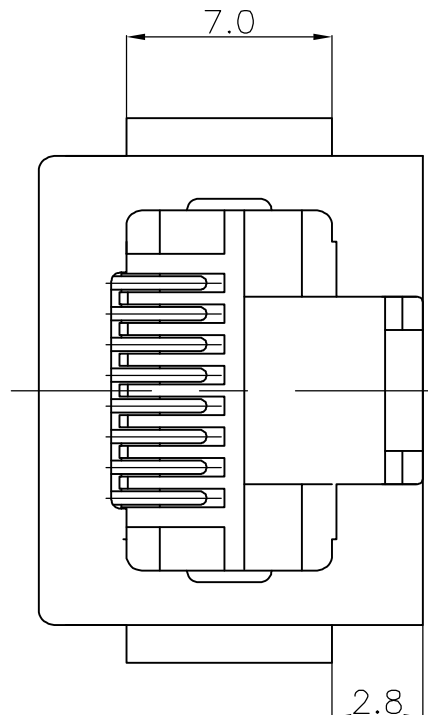


THIS DRAWING IS UNPUBLISHED. RELEASED FOR PUBLICATION
 © COPYRIGHT BY TYCO ELECTRONICS CORPORATION. ALL RIGHTS RESERVED.

Loc	DIST	REVISIONS					
		P	LTR	DESCRIPTION	DATE	DWN	APVD
H	-	K		EH-0049-97	27-02-97	EVE	-
		L		EH-1248-98	26-10-98	EVE	-
		M		ECR-06-013127	31-05-06	MO	-

- NOTES:
1. TOLERANCES UNLESS OTHERWISE SPECIFIED: ± 0.15
 2. FOR APPLICATION INFORMATION SEE AMP SPEC. 114-19019.
 3. FOR PERFORMANCE REQUIREMENTS SEE AMP SPEC. 108-19064



800 PCS. ON A 60cm. DIA. REEL	8 POSITIONS/ 8 CONTACTS.	IN CONTACT AREA: 1.2 μ m MIN. SEL. GOLD OVER 1.2 μ m MIN. NICKEL	HOUSING: PBT,UL 94V-0 COLOR: BLACK	216550-2
		SOLDER TINES: 2.0 μ m MIN. TIN OVER 1.2 μ m MIN. NICKEL	CONTACTS: PHOSPHOR BRONZE	
			HOUSING: PBT,UL 94V-HB COLOR: BLACK	216550-1
			CONTACTS: PHOSPHOR BRONZE	
PACKAGING	REMARKS	FINISH	MATERIAL	PART NUMBER

PRINTED CIRCUIT BOARD LAYOUT
 [VIEW SHOWN IS CIRCUIT (NONCOMPONENT) SIDE OF BOARD.]
 TOLERANCES UNLESS OTHERWISE SPECIFIED: ± 0.05
 PRINTED CIRCUIT BOARD THICKNESS: 1.6 mm NOMINAL.

THIS DRAWING IS A CONTROLLED DOCUMENT.		DWN J.V.LIEMPT	22JAN92	Tyco Electronics Corporation s-HertogenBosch,Nederland,	
DIMENSIONS: MM		CHK C.STERKEN	APVD L.V.SOEST	NAME	
TOLERANCES UNLESS OTHERWISE SPECIFIED:		PRODUCT SPEC		APPLICATION SPEC	
MATERIAL SEE TABLE		FINISH SEE TABLE		WEIGHT -	
0 PLC ± -		1 PLC ± -		2 PLC ± -	
3 PLC ± -		4 PLC ± -		ANGLES ± -	
SIZE		CAGE CODE	DRAWING NO	RESTRICTED TO	
A2		00779	C=216550	-	
CUSTOMER DRAWING		SCALE	SHEET	OF	REV
		-	1	1	M